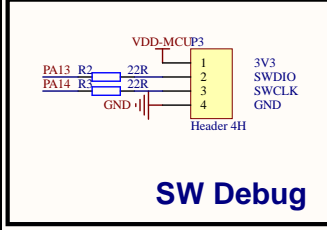
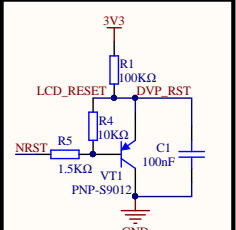


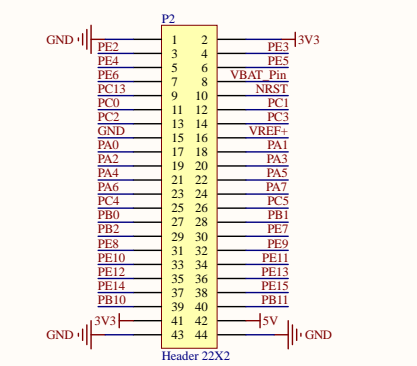
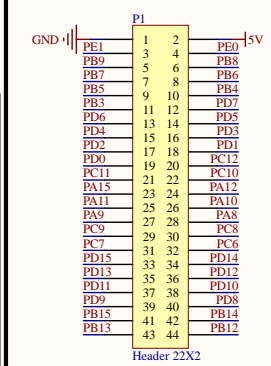
Peripherals



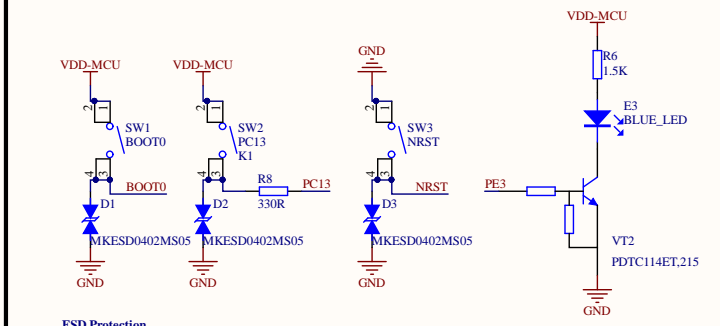
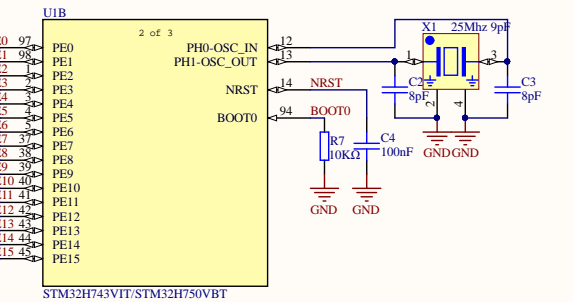
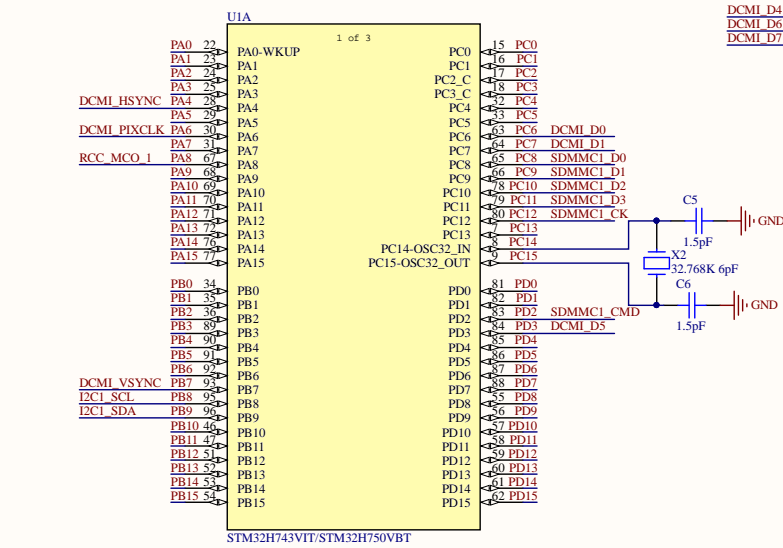
SW Debug



LCD&DVP RST

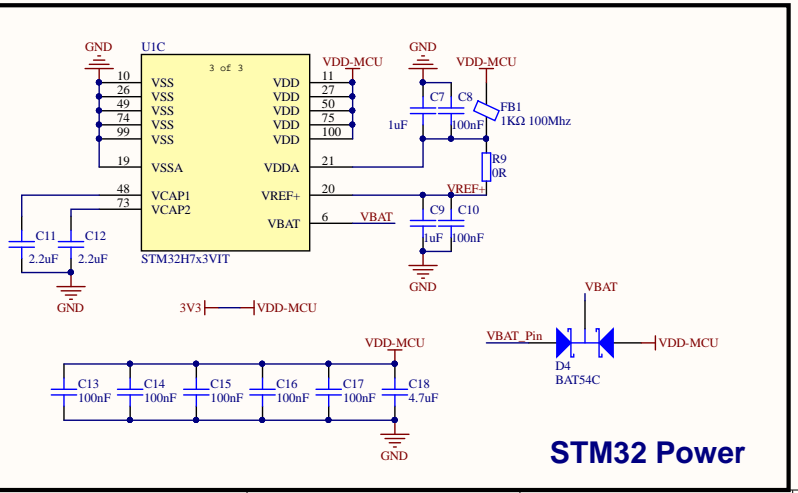


I/O PIN



ESD Protection

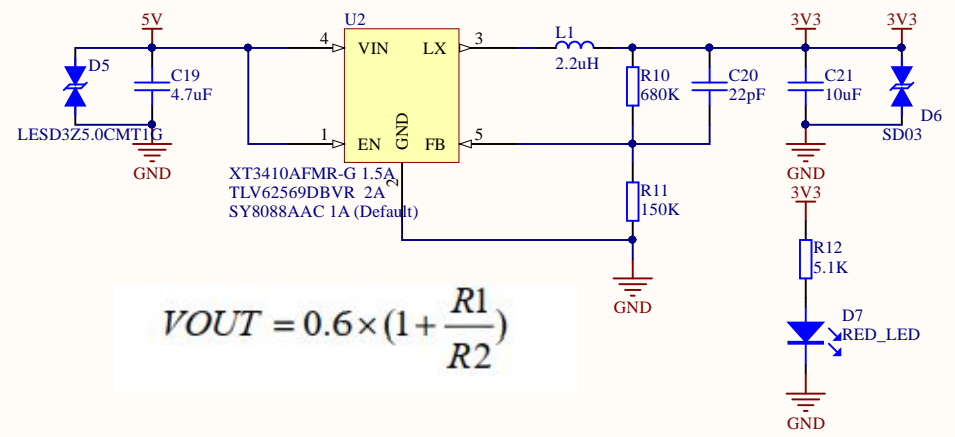
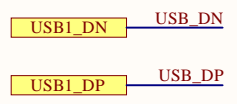
KEY&&LED



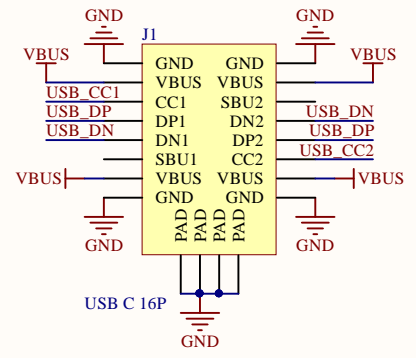
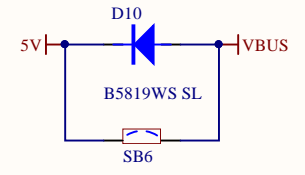
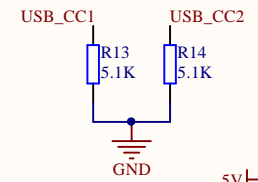
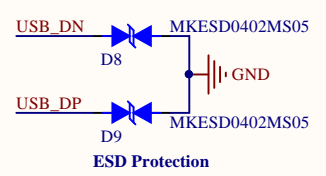
STM32 Power



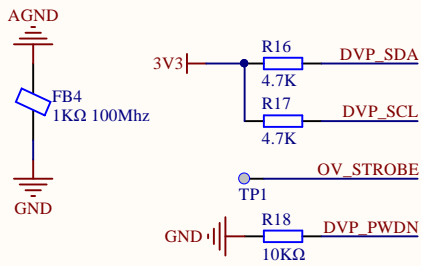
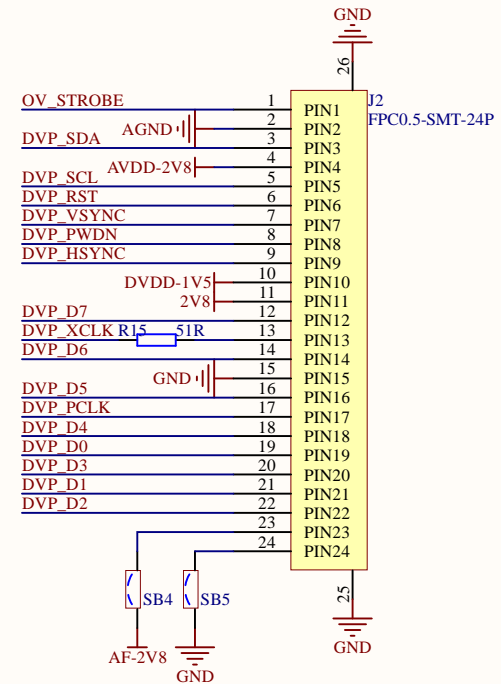
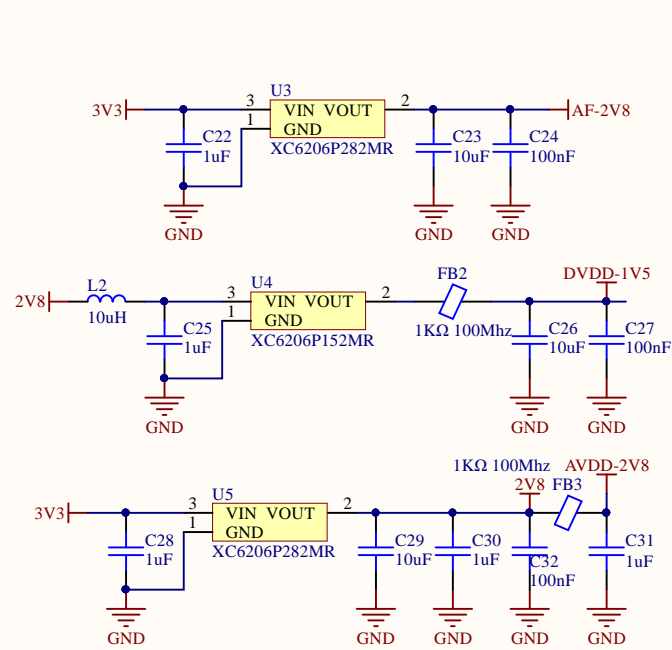
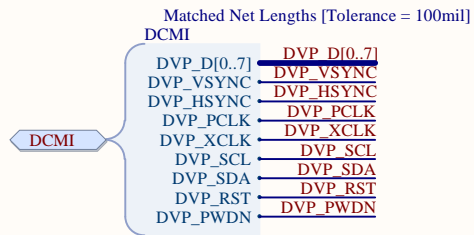
Title			STM32H7XX Board		
Size	Number	Revision		V1.1	
A3					
Date:	2020/12/1	Sheet	of		
File:	C:\Users\...01-STM32H750VB.SchDoc	Drawn By:			



$$V_{OUT} = 0.6 \times \left(1 + \frac{R1}{R2}\right)$$

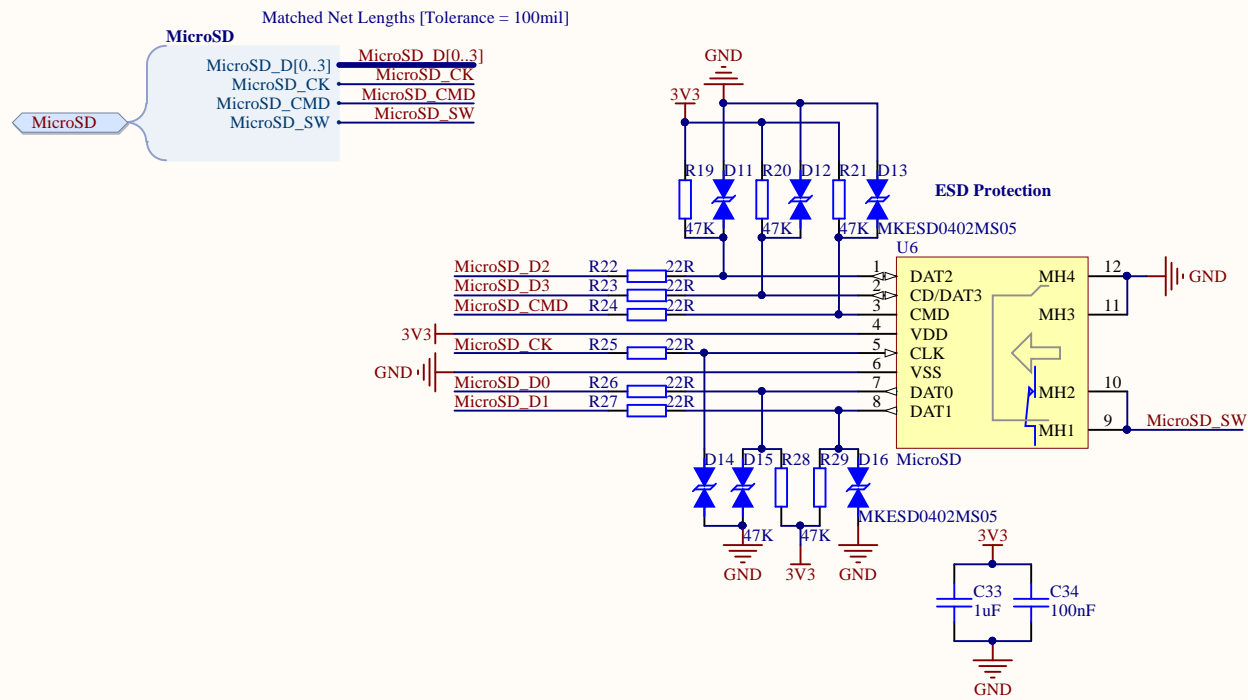


Title		
POWER		
Size	Number	Revision
A4		
Date:	2020/12/1	Sheet of
File:	C:\Users\...\02-DC-DC.SchDoc	Drawn By:



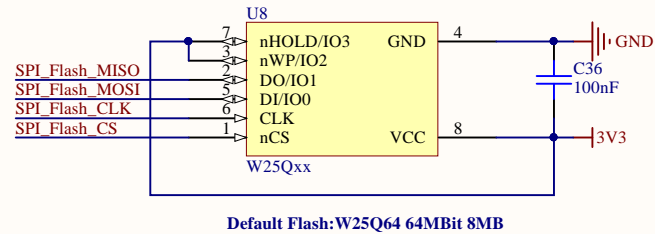
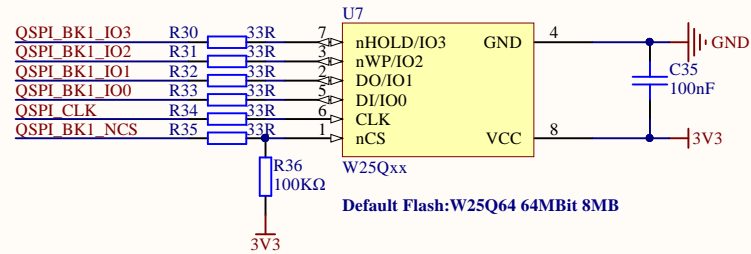
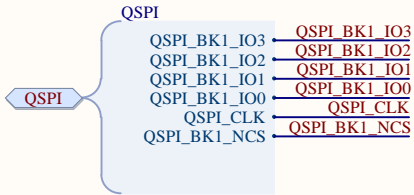
Support:
OV7670,OV2640,OV5640...

Title DCMI		
Size A4	Number	Revision
Date: 2020/12/1	Sheet of	
File: C:\Users\...\03-DCMI.SchDoc	Drawn By:	

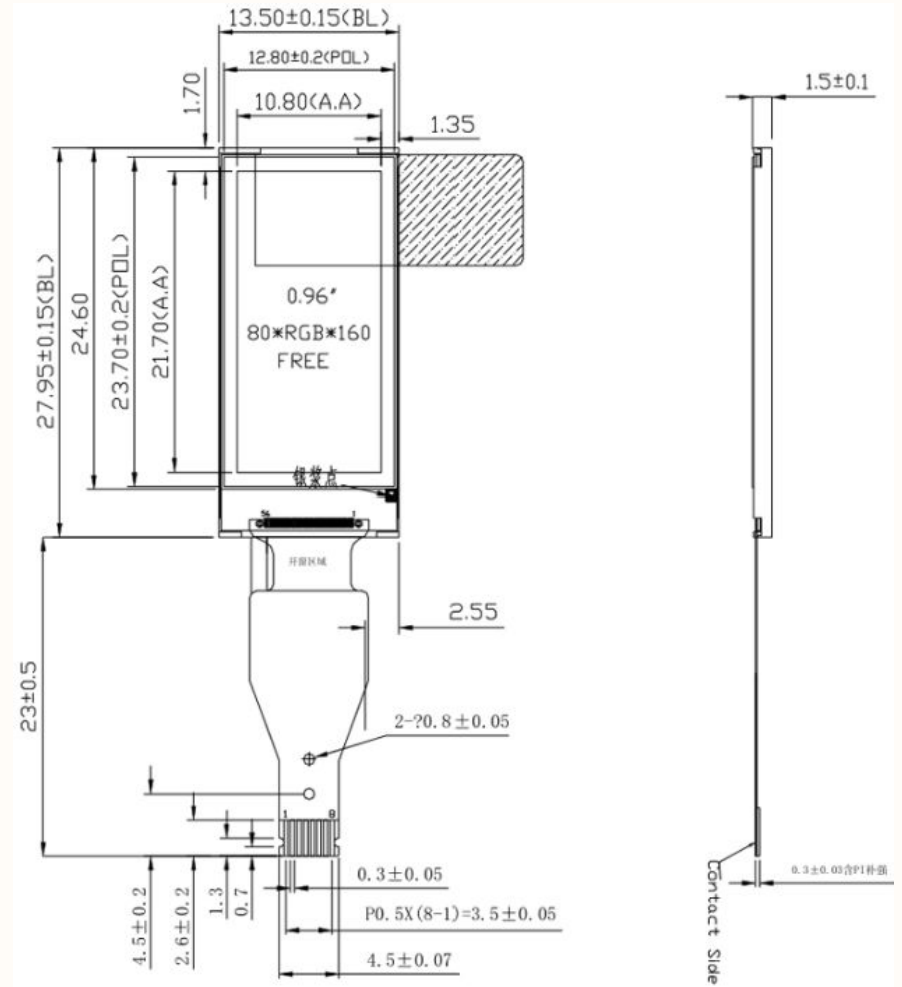
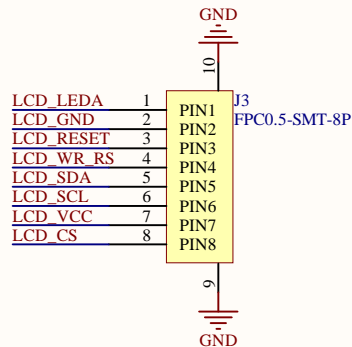
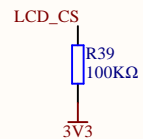
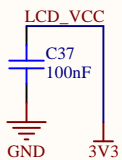
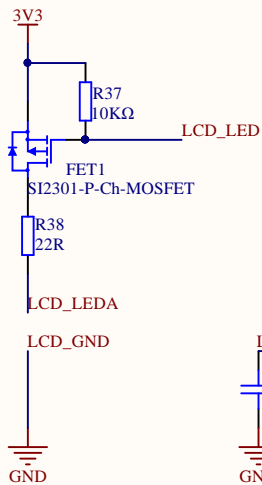


Title MicroSD		
Size A4	Number	Revision
Date: 2020/12/1	Sheet of	
File: C:\Users\...\04-MicroSD.SchDoc	Drawn By:	

Matched Net Lengths [Tolerance = 100mil]



Title		
<h1>QSPI&SPI Flash</h1>		
Size	Number	Revision
A4		
Date:	2020/12/1	Sheet of
File:	C:\Users\...\05-QSPI.SchDoc	Drawn By:



Title		
0.96" TFT-LCD		
Size	Number	Revision
A4		
Date:	2020/12/1	Sheet of
File:	C:\Users\...\06-TFT-LCD.SchDoc	Drawn By: